

## High power UVC LEDs

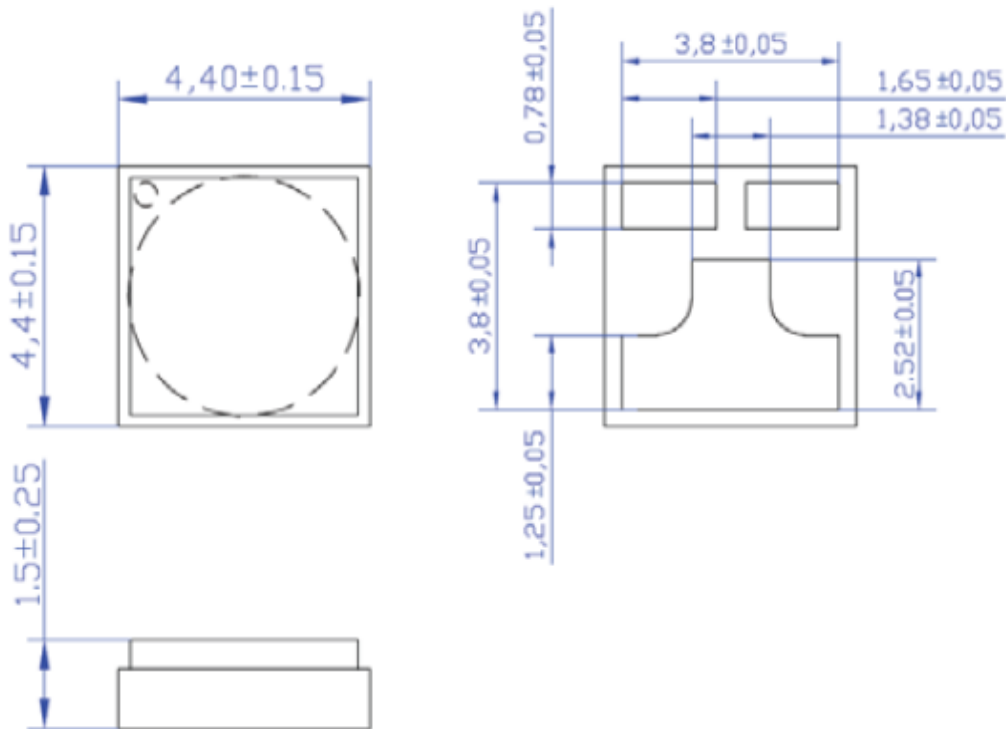
### Product Details:

Model Number: AL-H44GLU27

Brand Name: ALLIGHT

Origin: Dongguan, China

### Package Dimensions



Unit: (mm)

Tolerance:  $\pm 0.25$ mm

### Key Specifications/Special Features:

20mA/30mA/50mA/100mA/150mA, different power different current

120 degree view angle

270nm or 280nm deep UV color

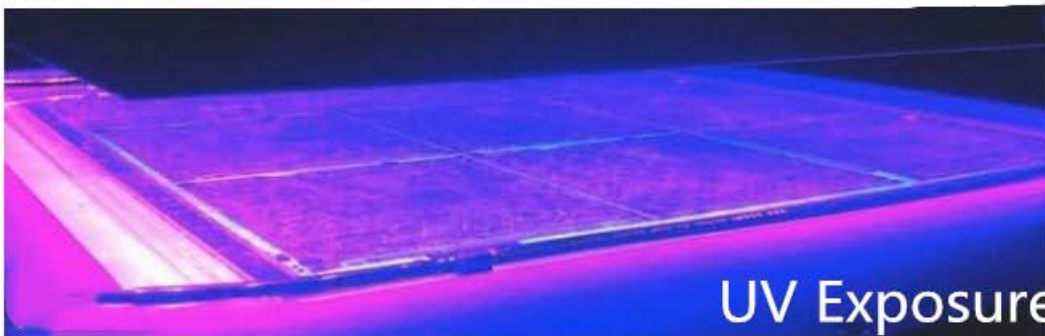
4.40\*4.40\*1.50mm small dimension SMD LED type

Lens Material: Au plating on Cu Substrate/Al reflector

Part Number	WP (nm)	Current mA	Vf (V)		Flux (mW) Typ.	Ee (Mw/cm <sup>2</sup> ) Typ.	Viewing Angle
			Min	Max			
AL-H44GLU27-1LI2A8	270	20	6	10	1.5	-	120
AL-H44GLU27-1LI3A8	270	30	6	10	1.7	0.45	120
AL-H44GLU27-3LI5A8	270	50	6	10	3	0.8	120
AL-H44GLU27-5LIJA8	270	100	6	10	7	1.9	120
AL-H44GLU27-8LIKA8	270	150	6	10	10	2.8	120
AL-H44GLU28-8LIKA8	280	150	6	10	10	2.8	120

### Application for High power UVC LEDs

UV C SMD leds are popular for medical industry. Many customers used them for curing, sterilization, and nail polish and so on.



**Shipping for High power UVC LEDs**

We can provide DHL, FedEx, UPS, TNT Express service and so on. Please tell us which

shipping method you are prefer for High power UVC LEDs.



### **More details about High power UVC LEDs**

We are glad to provide samples. Formal order maximum is 800pcs/reel

Data sheet and usage guide are available

24 hours online service

Two years guarantee

**WELCOME TO CONTACT US>>>>WWW.ZHIDINGLED.COM**



Oversea Sales Manager  
Elsa Xiao  
E-mail: [sales@zhidingled.com](mailto:sales@zhidingled.com)  
Skype: elsa.xiao0418  
Mobile: 86-13412570091  
WhatsApp: 86-13412570091  
Tel: 86-769-22665151  
Fax: 86-769-22665155